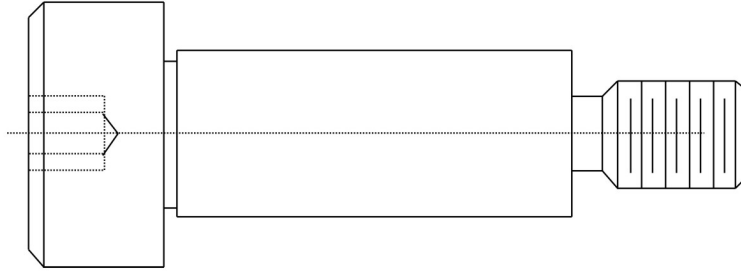
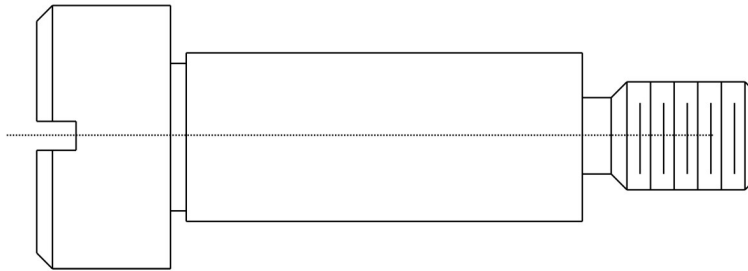


PRECISION SHOULDER SCREWS

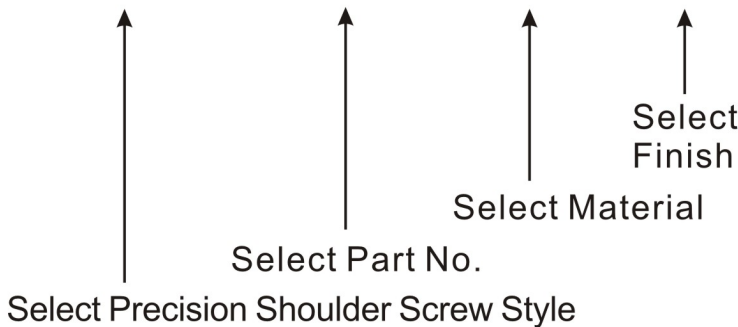
PRECISION SHOULDER SCREWS --SOCKET HEAD



PRECISION SHOULDER SCREWS --SLOTTED HEAD



PS-SO-44001-SS-SB5



Material Description	Code
Brass	B
Carbon Steel	S
300 Series Stainless Steel	SS

Finish Description	Code
Nickel Plated	S1
Chrome Plated	S2
Satin Chrome	S6
Zinc Plated	S10
Zinc Yellow Chromate	S11
Black Oxide	S22
Black Zinc	S23
Tin Plated	S24
No Finish	S14
Passivate	SB5

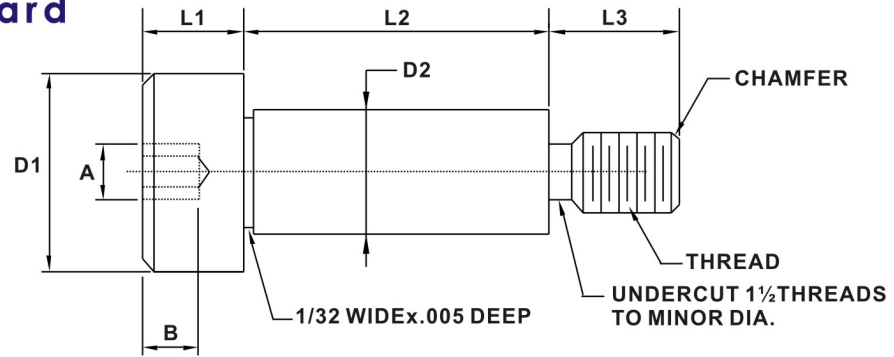
How to order Precision Shoulder Screw

Precision Shoulder Screw	Code
Precision Shoulder Screws Socket Head	PS-SO
Precision Shoulder Screws Slotted Head	PS-SL

Custom modified products are available.

PRECISION SHOULDER SCREWS SOCKET HEAD

American Standard

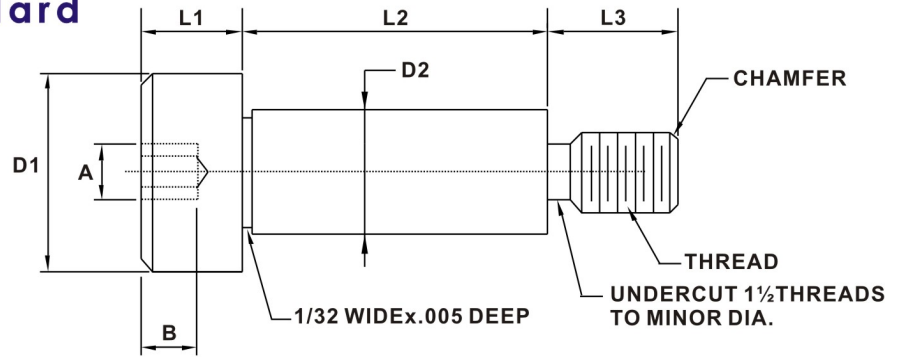


Part No.	Thread Size	D1	D2	L1	L2	L3	A	B
		+ .004 - .004	+ .000 - .001	+ .010 - .010	+ .002 - .000	+ .005 - .005	+ .002 - .000	Min.
PS-SO-44001	4-40	1/4	.1245	1/8	.1250	5/32	5/64	1/16
PS-SO-44002	4-40	1/4	.1245	1/8	.1875	5/32	5/64	1/16
PS-SO-44003	4-40	1/4	.1245	1/8	.2500	5/32	5/64	1/16
PS-SO-44004	4-40	1/4	.1245	1/8	.3125	5/32	5/64	1/16
PS-SO-44005	4-40	1/4	.1245	1/8	.3750	5/32	5/64	1/16
PS-SO-44006	4-40	1/4	.1245	1/8	.4375	5/32	5/64	1/16
PS-SO-44007	4-40	1/4	.1245	1/8	.5000	5/32	5/64	1/16
PS-SO-63201	6-32	9/32	.1560	1/8	.1250	3/16	3/32	5/64
PS-SO-63202	6-32	9/32	.1560	1/8	.1875	3/16	3/32	5/64
PS-SO-63203	6-32	9/32	.1560	1/8	.2500	3/16	3/32	5/64
PS-SO-63204	6-32	9/32	.1560	1/8	.3125	3/16	3/32	5/64
PS-SO-63205	6-32	9/32	.1560	1/8	.3750	3/16	3/32	5/64
PS-SO-63206	6-32	9/32	.1560	1/8	.4375	3/16	3/32	5/64
PS-SO-63207	6-32	9/32	.1560	1/8	.5000	3/16	3/32	5/64
PS-SO-63208	6-32	9/32	.1560	1/8	.5625	3/16	3/32	5/64
PS-SO-63209	6-32	9/32	.1560	1/8	.6250	3/16	3/32	5/64
PS-SO-63210	6-32	9/32	.1560	1/8	.6875	3/16	3/32	5/64
PS-SO-63211	6-32	9/32	.1560	1/8	.7500	3/16	3/32	5/64
PS-SO-83201	8-32	5/16	.1870	5/32	.1250	3/16	3/32	5/64
PS-SO-83202	8-32	5/16	.1870	5/32	.1875	3/16	3/32	5/64
PS-SO-83203	8-32	5/16	.1870	5/32	.2500	3/16	3/32	5/64
PS-SO-83204	8-32	5/16	.1870	5/32	.3125	3/16	3/32	5/64
PS-SO-83205	8-32	5/16	.1870	5/32	.3750	3/16	3/32	5/64
PS-SO-83206	8-32	5/16	.1870	5/32	.4375	3/16	3/32	5/64
PS-SO-83207	8-32	5/16	.1870	5/32	.5000	3/16	3/32	5/64
PS-SO-83208	8-32	5/16	.1870	5/32	.5625	3/16	3/32	5/64
PS-SO-83209	8-32	5/16	.1870	5/32	.6250	3/16	3/32	5/64
PS-SO-83210	8-32	5/16	.1870	5/32	.6875	3/16	3/32	5/64
PS-SO-83211	8-32	5/16	.1870	5/32	.7500	3/16	3/32	5/64
PS-SO-83212	8-32	5/16	.1870	5/32	.8750	3/16	3/32	5/64
PS-SO-83213	8-32	5/16	.1870	5/32	1.000	3/16	3/32	5/64
PS-SO-83214	8-32	5/16	.1870	5/32	1.250	3/16	3/32	5/64
PS-SO-83215	8-32	5/16	.1870	5/32	1.375	3/16	3/32	5/64
PS-SO-83216	8-32	5/16	.1870	5/32	1.500	3/16	3/32	5/64

Custom modified products are available.

PRECISION SHOULDER SCREWS SOCKET HEAD

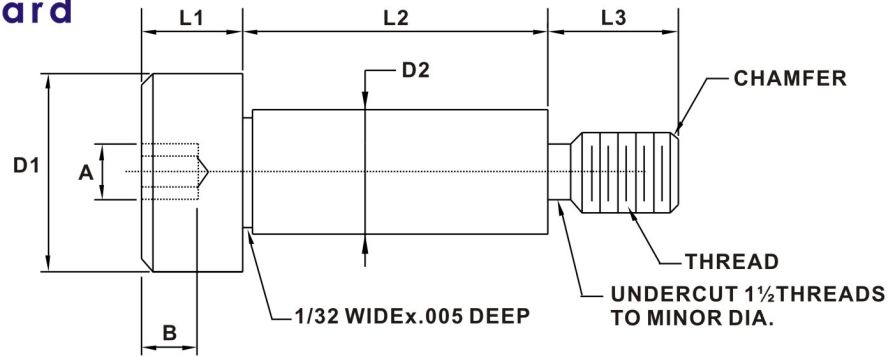
American Standard



Part No.	Thread Size	D1	D2	L1	L2	L3	A	B
		+ .004 - .004	+ .000 - .001	+ .010 - .010	+ .002 - .000	+ .005 - .005	+ .002 - .000	Min.
PS-SO-103201	10-32	3/8	.2495	3/16	.1250	1/4	1/8	3/32
PS-SO-103202	10-32	3/8	.2495	3/16	.1875	1/4	1/8	3/32
PS-SO-103203	10-32	3/8	.2495	3/16	.2500	1/4	1/8	3/32
PS-SO-103204	10-32	3/8	.2495	3/16	.3125	1/4	1/8	3/32
PS-SO-103205	10-32	3/8	.2495	3/16	.3750	1/4	1/8	3/32
PS-SO-103206	10-32	3/8	.2495	3/16	.4375	1/4	1/8	3/32
PS-SO-103207	10-32	3/8	.2495	3/16	.5000	1/4	1/8	3/32
PS-SO-103208	10-32	3/8	.2495	3/16	.5625	1/4	1/8	3/32
PS-SO-103209	10-32	3/8	.2495	3/16	.6250	1/4	1/8	3/32
PS-SO-103210	10-32	3/8	.2495	3/16	.6875	1/4	1/8	3/32
PS-SO-103211	10-32	3/8	.2495	3/16	.7500	1/4	1/8	3/32
PS-SO-103212	10-32	3/8	.2495	3/16	.8750	1/4	1/8	3/32
PS-SO-103213	10-32	3/8	.2495	3/16	1.000	1/4	1/8	3/32
PS-SO-103214	10-32	3/8	.2495	3/16	1.250	1/4	1/8	3/32
PS-SO-103215	10-32	3/8	.2495	3/16	1.375	1/4	1/8	3/32
PS-SO-103216	10-32	3/8	.2495	3/16	1.500	1/4	1/8	3/32
PS-SO-142001	1/4-20	7/16	.3120	7/32	.2500	3/8	5/32	1/8
PS-SO-142002	1/4-20	7/16	.3120	7/32	.3125	3/8	5/32	1/8
PS-SO-142003	1/4-20	7/16	.3120	7/32	.3750	3/8	5/32	1/8
PS-SO-142004	1/4-20	7/16	.3120	7/32	.5000	3/8	5/32	1/8
PS-SO-142005	1/4-20	7/16	.3120	7/32	.6250	3/8	5/32	1/8
PS-SO-142006	1/4-20	7/16	.3120	7/32	.7500	3/8	5/32	1/8
PS-SO-142007	1/4-20	7/16	.3120	7/32	.8750	3/8	5/32	1/8
PS-SO-142008	1/4-20	7/16	.3120	7/32	1.000	3/8	5/32	1/8
PS-SO-142009	1/4-20	1/2	.3745	7/32	.2500	3/8	5/32	1/8
PS-SO-142010	1/4-20	1/2	.3745	7/32	.3125	3/8	5/32	1/8
PS-SO-142011	1/4-20	1/2	.3745	7/32	.3750	3/8	5/32	1/8
PS-SO-142012	1/4-20	1/2	.3745	7/32	.5000	3/8	5/32	1/8
PS-SO-142013	1/4-20	1/2	.3745	7/32	.6250	3/8	5/32	1/8
PS-SO-142014	1/4-20	1/2	.3745	7/32	.7500	3/8	5/32	1/8
PS-SO-142015	1/4-20	1/2	.3745	7/32	.8750	3/8	5/32	1/8
PS-SO-142016	1/4-20	1/2	.3745	7/32	1.000	3/8	5/32	1/8

Custom modified products are available.

American Standard

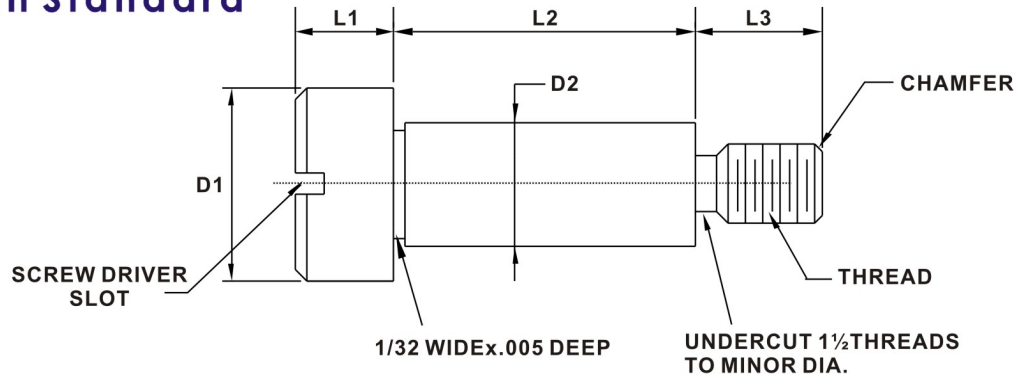


Part No.	Thread Size	D1	D2	L1	L2	L3	A	B
		+ .004 - .004	+ .000 - .001	+ .010 - .010	+ .002 - .000	+ .005 - .005	+ .002 - .000	Min.
PS-SO-5161801	5/16-18	1/2	.3745	7/32	.2500	7/16	3/16	5/32
PS-SO-5161802	5/16-18	1/2	.3745	7/32	.3125	7/16	3/16	5/32
PS-SO-5161803	5/16-18	1/2	.3745	7/32	.3750	7/16	3/16	5/32
PS-SO-5161804	5/16-18	1/2	.3745	7/32	.5000	7/16	3/16	5/32
PS-SO-5161805	5/16-18	1/2	.3745	7/32	.6250	7/16	3/16	5/32
PS-SO-5161806	5/16-18	1/2	.3745	7/32	.7500	7/16	3/16	5/32
PS-SO-5161807	5/16-18	1/2	.3745	7/32	.8750	7/16	3/16	5/32
PS-SO-5161808	5/16-18	1/2	.3745	7/32	1.000	7/16	3/16	5/32
PS-SO-381601	3/8-16	5/8	.4995	1/4	.2500	1/2	1/4	3/16
PS-SO-381602	3/8-16	5/8	.4995	1/4	.3125	1/2	1/4	3/16
PS-SO-381603	3/8-16	5/8	.4995	1/4	.3750	1/2	1/4	3/16
PS-SO-381604	3/8-16	5/8	.4995	1/4	.5000	1/2	1/4	3/16
PS-SO-381605	3/8-16	5/8	.4995	1/4	.6250	1/2	1/4	3/16
PS-SO-381606	3/8-16	5/8	.4995	1/4	.7500	1/2	1/4	3/16
PS-SO-381607	3/8-16	5/8	.4995	1/4	.8750	1/2	1/4	3/16
PS-SO-381608	3/8-16	5/8	.4995	1/4	1.000	1/2	1/4	3/16

Custom modified products are available.

PRECISION SHOULDER SCREWS SLOTTED HEAD

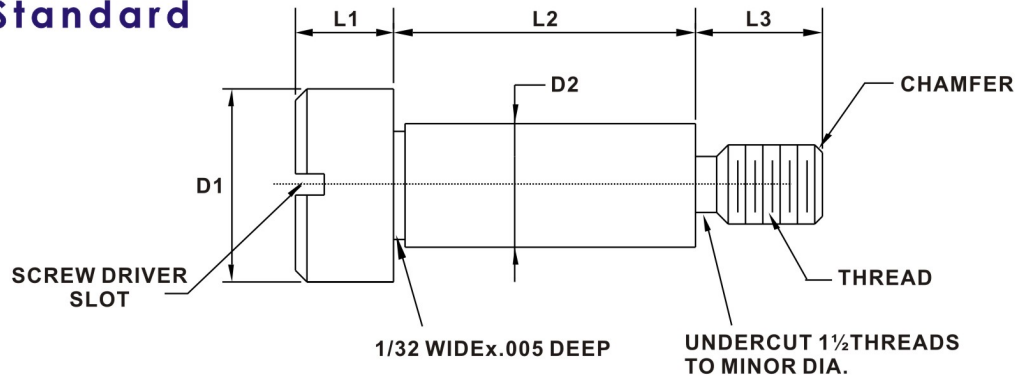
American Standard



Part No.	Thread Size	D1	D2	L1	L2	L3
		+ .004 - .004	+ .000 - .001	+ .010 - .010	+ .002 - .000	+ .005 - .005
PS-SL-44001	4-40	1/4	.1245	1/8	.1250	5/32
PS-SL-44002	4-40	1/4	.1245	1/8	.1875	5/32
PS-SL-44003	4-40	1/4	.1245	1/8	.2500	5/32
PS-SL-44004	4-40	1/4	.1245	1/8	.3125	5/32
PS-SL-44005	4-40	1/4	.1245	1/8	.3750	5/32
PS-SL-44006	4-40	1/4	.1245	1/8	.4375	5/32
PS-SL-44007	4-40	1/4	.1245	1/8	.5000	5/32
PS-SL-63201	6-32	9/32	.1560	1/8	.1250	3/16
PS-SL-63202	6-32	9/32	.1560	1/8	.1875	3/16
PS-SL-63203	6-32	9/32	.1560	1/8	.2500	3/16
PS-SL-63204	6-32	9/32	.1560	1/8	.3125	3/16
PS-SL-63205	6-32	9/32	.1560	1/8	.3750	3/16
PS-SL-63206	6-32	9/32	.1560	1/8	.4375	3/16
PS-SL-63207	6-32	9/32	.1560	1/8	.5000	3/16
PS-SL-63208	6-32	9/32	.1560	1/8	.5625	3/16
PS-SL-63209	6-32	9/32	.1560	1/8	.6250	3/16
PS-SL-63210	6-32	9/32	.1560	1/8	.6875	3/16
PS-SL-63211	6-32	9/32	.1560	1/8	.7500	3/16
PS-SL-83201	8-32	5/16	.1870	5/32	.1250	3/16
PS-SL-83202	8-32	5/16	.1870	5/32	.1875	3/16
PS-SL-83203	8-32	5/16	.1870	5/32	.2500	3/16
PS-SL-83204	8-32	5/16	.1870	5/32	.3125	3/16
PS-SL-83205	8-32	5/16	.1870	5/32	.3750	3/16
PS-SL-83206	8-32	5/16	.1870	5/32	.4375	3/16
PS-SL-83207	8-32	5/16	.1870	5/32	.5000	3/16
PS-SL-83208	8-32	5/16	.1870	5/32	.5625	3/16
PS-SL-83209	8-32	5/16	.1870	5/32	.6250	3/16
PS-SL-83210	8-32	5/16	.1870	5/32	.6875	3/16
PS-SL-83211	8-32	5/16	.1870	5/32	.7500	3/16
PS-SL-83212	8-32	5/16	.1870	5/32	.8750	3/16
PS-SL-83213	8-32	5/16	.1870	5/32	1.000	3/16
PS-SL-83214	8-32	5/16	.1870	5/32	1.250	3/16
PS-SL-83215	8-32	5/16	.1870	5/32	1.375	3/16
PS-SL-83216	8-32	5/16	.1870	5/32	1.500	3/16

Custom modified products are available.

American Standard

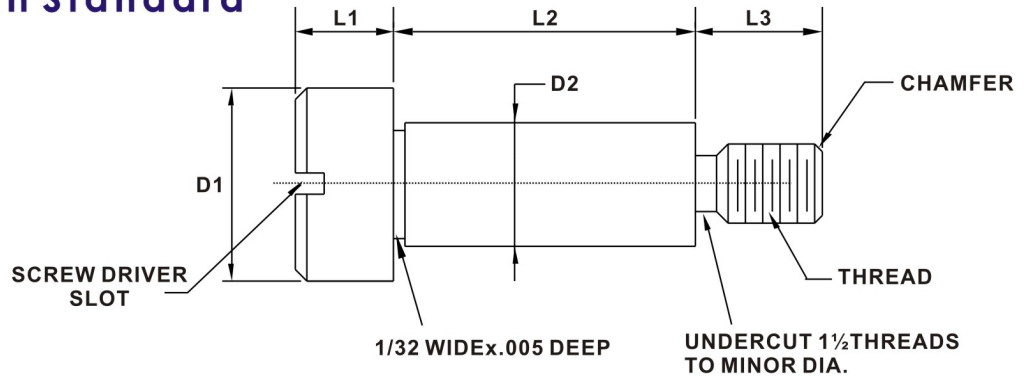


Part No.	Thread Size	D1	D2	L1	L2	L3
		+ .004 - .004	+ .000 - .001	+ .010 - .010	+ .002 - .000	+ .005 - .005
PS-SL-103201	10-32	3/8	.2495	3/16	.1250	1/4
PS-SL-103202	10-32	3/8	.2495	3/16	.1875	1/4
PS-SL-103203	10-32	3/8	.2495	3/16	.2500	1/4
PS-SL-103204	10-32	3/8	.2495	3/16	.3125	1/4
PS-SL-103205	10-32	3/8	.2495	3/16	.3750	1/4
PS-SL-103206	10-32	3/8	.2495	3/16	.4375	1/4
PS-SL-103207	10-32	3/8	.2495	3/16	.5000	1/4
PS-SL-103208	10-32	3/8	.2495	3/16	.5625	1/4
PS-SL-103209	10-32	3/8	.2495	3/16	.6250	1/4
PS-SL-103210	10-32	3/8	.2495	3/16	.6875	1/4
PS-SL-103211	10-32	3/8	.2495	3/16	.7500	1/4
PS-SL-103212	10-32	3/8	.2495	3/16	.8750	1/4
PS-SL-103213	10-32	3/8	.2495	3/16	1.000	1/4
PS-SL-103214	10-32	3/8	.2495	3/16	1.250	1/4
PS-SL-103215	10-32	3/8	.2495	3/16	1.375	1/4
PS-SL-103216	10-32	3/8	.2495	3/16	1.500	1/4
PS-SL-142001	1/4-20	7/16	.3120	7/32	.2500	3/8
PS-SL-142002	1/4-20	7/16	.3120	7/32	.3125	3/8
PS-SL-142003	1/4-20	7/16	.3120	7/32	.3750	3/8
PS-SL-142004	1/4-20	7/16	.3120	7/32	.5000	3/8
PS-SL-142005	1/4-20	7/16	.3120	7/32	.6250	3/8
PS-SL-142006	1/4-20	7/16	.3120	7/32	.7500	3/8
PS-SL-142007	1/4-20	7/16	.3120	7/32	.8750	3/8
PS-SL-142008	1/4-20	7/16	.3120	7/32	1.000	3/8
PS-SL-142009	1/4-20	1/2	.3745	7/32	.2500	3/8
PS-SL-142010	1/4-20	1/2	.3745	7/32	.3125	3/8
PS-SL-142011	1/4-20	1/2	.3745	7/32	.3750	3/8
PS-SL-142012	1/4-20	1/2	.3745	7/32	.5000	3/8
PS-SL-142013	1/4-20	1/2	.3745	7/32	.6250	3/8
PS-SL-142014	1/4-20	1/2	.3745	7/32	.7500	3/8
PS-SL-142015	1/4-20	1/2	.3745	7/32	.8750	3/8
PS-SL-142016	1/4-20	1/2	.3745	7/32	1.000	3/8

Custom modified products are available.

PRECISION SHOULDER SCREWS SLOTTED HEAD

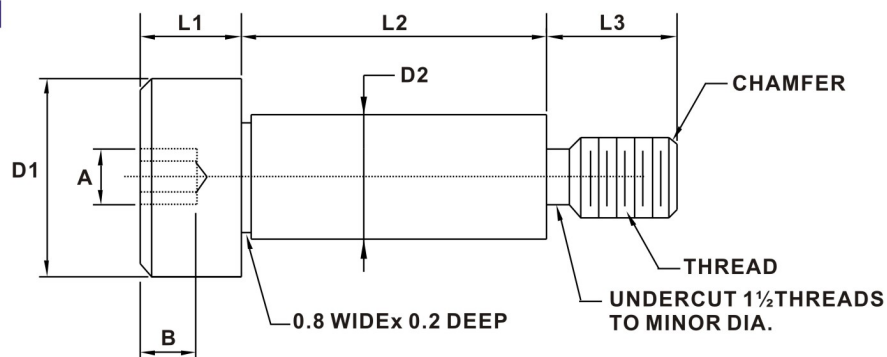
American Standard



Part No.	Thread Size	D1	D2	L1	L2	L3
		+ .004 - .004	+ .000 - .001	+ .010 - .010	+ .002 - .000	+ .005 - .005
PS-SL-5161801	5/16-18	1/2	.3745	7/32	.2500	7/16
PS-SL-5161802	5/16-18	1/2	.3745	7/32	.3125	7/16
PS-SL-5161803	5/16-18	1/2	.3745	7/32	.3750	7/16
PS-SL-5161804	5/16-18	1/2	.3745	7/32	.5000	7/16
PS-SL-5161805	5/16-18	1/2	.3745	7/32	.6250	7/16
PS-SL-5161806	5/16-18	1/2	.3745	7/32	.7500	7/16
PS-SL-5161807	5/16-18	1/2	.3745	7/32	.8750	7/16
PS-SL-5161808	5/16-18	1/2	.3745	7/32	1.000	7/16
PS-SL-381601	3/8-16	5/8	.4995	1/4	.2500	1/2
PS-SL-381602	3/8-16	5/8	.4995	1/4	.3125	1/2
PS-SL-381603	3/8-16	5/8	.4995	1/4	.3750	1/2
PS-SL-381604	3/8-16	5/8	.4995	1/4	.5000	1/2
PS-SL-381605	3/8-16	5/8	.4995	1/4	.6250	1/2
PS-SL-381606	3/8-16	5/8	.4995	1/4	.7500	1/2
PS-SL-381607	3/8-16	5/8	.4995	1/4	.8750	1/2
PS-SL-381608	3/8-16	5/8	.4995	1/4	1.000	1/2

Custom modified products are available.

Metric Standard

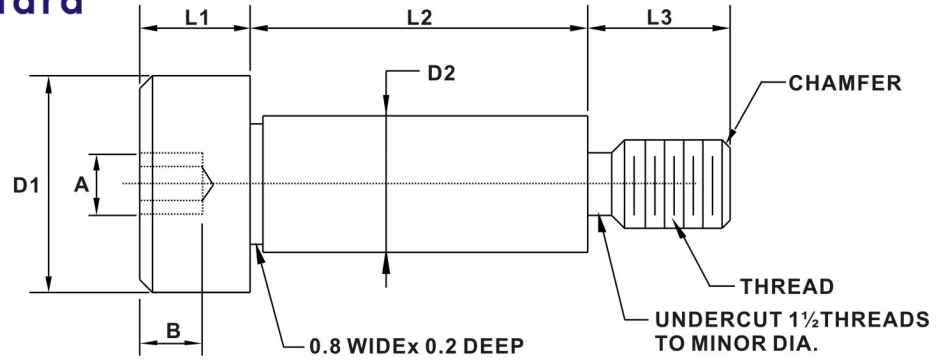


Part No.	Thread Size	D1	D2	L1	L2	L3	A	B
		+0.10 -0.10	+0.000 -0.026	+0.25 -0.25	+0.053 -0.000	+0.13 -0.13	+0.05 -0.00	Min.
PS-SO-M301	M3x0.5	6	3.16	3.18	3.18	4	2	1.6
PS-SO-M302	M3x0.5	6	3.16	3.18	4.76	4	2	1.6
PS-SO-M303	M3x0.5	6	3.16	3.18	6.35	4	2	1.6
PS-SO-M304	M3x0.5	6	3.16	3.18	7.94	4	2	1.6
PS-SO-M305	M3x0.5	6	3.16	3.18	9.52	4	2	1.6
PS-SO-M306	M3x0.5	6	3.16	3.18	11.11	4	2	1.6
PS-SO-M307	M3x0.5	6	3.16	3.18	12.70	4	2	1.6
PS-SO-M3.501	M3.5x0.6	7	3.96	3.18	3.18	4.75	2.5	2
PS-SO-M3.502	M3.5x0.6	7	3.96	3.18	4.76	4.75	2.5	2
PS-SO-M3.503	M3.5x0.6	7	3.96	3.18	6.35	4.75	2.5	2
PS-SO-M3.504	M3.5x0.6	7	3.96	3.18	7.94	4.75	2.5	2
PS-SO-M3.505	M3.5x0.6	7	3.96	3.18	9.52	4.75	2.5	2
PS-SO-M3.506	M3.5x0.6	7	3.96	3.18	11.11	4.75	2.5	2
PS-SO-M3.507	M3.5x0.6	7	3.96	3.18	12.70	4.75	2.5	2
PS-SO-M3.508	M3.5x0.6	7	3.96	3.18	14.29	4.75	2.5	2
PS-SO-M3.509	M3.5x0.6	7	3.96	3.18	15.87	4.75	2.5	2
PS-SO-M3.510	M3.5x0.6	7	3.96	3.18	17.46	4.75	2.5	2
PS-SO-M3.511	M3.5x0.6	7	3.96	3.18	19.05	4.75	2.5	2
PS-SO-M401	M4x0.7	8	4.75	3.96	3.18	4.75	2.5	2
PS-SO-M402	M4x0.7	8	4.75	3.96	4.76	4.75	2.5	2
PS-SO-M403	M4x0.7	8	4.75	3.96	6.35	4.75	2.5	2
PS-SO-M404	M4x0.7	8	4.75	3.96	7.94	4.75	2.5	2
PS-SO-M405	M4x0.7	8	4.75	3.96	9.52	4.75	2.5	2
PS-SO-M406	M4x0.7	8	4.75	3.96	11.11	4.75	2.5	2
PS-SO-M407	M4x0.7	8	4.75	3.96	12.70	4.75	2.5	2
PS-SO-M408	M4x0.7	8	4.75	3.96	14.29	4.75	2.5	2
PS-SO-M409	M4x0.7	8	4.75	3.96	15.87	4.75	2.5	2
PS-SO-M410	M4x0.7	8	4.75	3.96	17.46	4.75	2.5	2
PS-SO-M411	M4x0.7	8	4.75	3.96	19.05	4.75	2.5	2
PS-SO-M412	M4x0.7	8	4.75	3.96	22.22	4.75	2.5	2
PS-SO-M413	M4x0.7	8	4.75	3.96	25.40	4.75	2.5	2

Custom modified products are available.

PRECISION SHOULDER SCREWS SOCKET HEAD

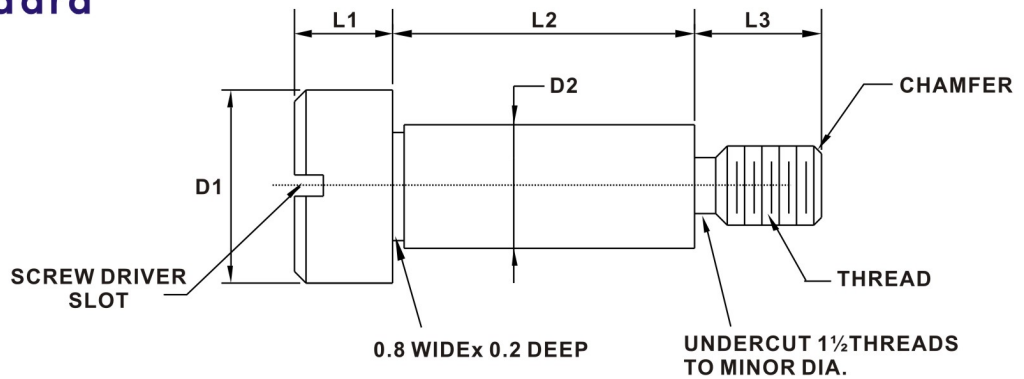
Metric Standard



Part No.	Thread Size	D1	D2	L1	L2	L3	A	B
		+0.10 -0.10	+0.000 -0.026	+0.25 -0.25	+0.053 -0.000	+0.13 -0.13	+0.05 -0.00	Min.
PS-SO-M501	M5x0.8	10	6.34	4.8	3.18	6.3	3	2.4
PS-SO-M502	M5x0.8	10	6.34	4.8	4.76	6.3	3	2.4
PS-SO-M503	M5x0.8	10	6.34	4.8	6.35	6.3	3	2.4
PS-SO-M504	M5x0.8	10	6.34	4.8	7.94	6.3	3	2.4
PS-SO-M505	M5x0.8	10	6.34	4.8	9.52	6.3	3	2.4
PS-SO-M506	M5x0.8	10	6.34	4.8	11.11	6.3	3	2.4
PS-SO-M507	M5x0.8	10	6.34	4.8	12.70	6.3	3	2.4
PS-SO-M508	M5x0.8	10	6.34	4.8	14.29	6.3	3	2.4
PS-SO-M509	M5x0.8	10	6.34	4.8	15.87	6.3	3	2.4
PS-SO-M510	M5x0.8	10	6.34	4.8	17.46	6.3	3	2.4
PS-SO-M511	M5x0.8	10	6.34	4.8	19.05	6.3	3	2.4
PS-SO-M512	M5x0.8	10	6.34	4.8	22.22	6.3	3	2.4
PS-SO-M513	M5x0.8	10	6.34	4.8	25.40	6.3	3	2.4
PS-SO-M601	M6x1.0	11	7.93	5.5	6.35	9.4	4	3.2
PS-SO-M602	M6x1.0	11	7.93	5.5	9.52	9.4	4	3.2
PS-SO-M603	M6x1.0	11	7.93	5.5	12.70	9.4	4	3.2
PS-SO-M604	M6x1.0	11	7.93	5.5	14.29	9.4	4	3.2
PS-SO-M605	M6x1.0	11	7.93	5.5	19.05	9.4	4	3.2
PS-SO-M606	M6x1.0	11	7.93	5.5	22.22	9.4	4	3.2
PS-SO-M607	M6x1.0	11	7.93	5.5	25.40	9.4	4	3.2
PS-SO-M608	M6x1.0	13	9.51	5.5	6.35	9.4	4	3.2
PS-SO-M609	M6x1.0	13	9.51	5.5	9.52	9.4	4	3.2
PS-SO-M610	M6x1.0	13	9.51	5.5	12.70	9.4	4	3.2
PS-SO-M611	M6x1.0	13	9.51	5.5	14.29	9.4	4	3.2
PS-SO-M612	M6x1.0	13	9.51	5.5	19.05	9.4	4	3.2
PS-SO-M613	M6x1.0	13	9.51	5.5	22.22	9.4	4	3.2
PS-SO-M614	M6x1.0	13	9.51	5.5	25.40	9.4	4	3.2

Custom modified products are available.

Metric Standard

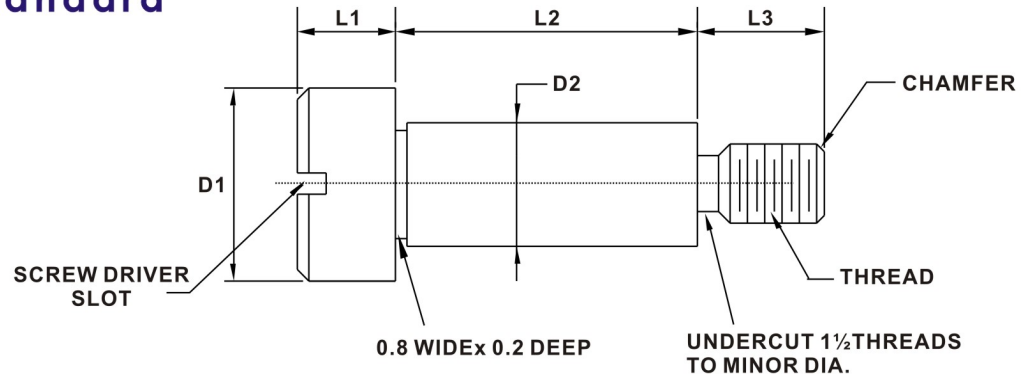


Part No.	Thread Size	D1	D2	L1	L2	L3
		+0.10 -0.10	+0.000 -0.026	+0.25 -0.25	+0.053 -0.000	+0.13 -0.13
PS-SL-M301	M3x0.5	6	3.16	3.18	3.18	4
PS-SL-M302	M3x0.5	6	3.16	3.18	4.76	4
PS-SL-M303	M3x0.5	6	3.16	3.18	6.35	4
PS-SL-M304	M3x0.5	6	3.16	3.18	7.94	4
PS-SL-M305	M3x0.5	6	3.16	3.18	9.52	4
PS-SL-M306	M3x0.5	6	3.16	3.18	11.11	4
PS-SL-M307	M3x0.5	6	3.16	3.18	12.70	4
PS-SL-M3.501	M3.5x0.6	7	3.96	3.18	3.18	4.75
PS-SL-M3.502	M3.5x0.6	7	3.96	3.18	4.76	4.75
PS-SL-M3.503	M3.5x0.6	7	3.96	3.18	6.35	4.75
PS-SL-M3.504	M3.5x0.6	7	3.96	3.18	7.94	4.75
PS-SL-M3.505	M3.5x0.6	7	3.96	3.18	9.52	4.75
PS-SL-M3.506	M3.5x0.6	7	3.96	3.18	11.11	4.75
PS-SL-M3.507	M3.5x0.6	7	3.96	3.18	12.70	4.75
PS-SL-M3.508	M3.5x0.6	7	3.96	3.18	14.29	4.75
PS-SL-M3.509	M3.5x0.6	7	3.96	3.18	15.87	4.75
PS-SL-M3.510	M3.5x0.6	7	3.96	3.18	17.46	4.75
PS-SL-M3.511	M3.5x0.6	7	3.96	3.18	19.05	4.75
PS-SL-M401	M4x0.7	8	4.75	4	3.18	4.75
PS-SL-M402	M4x0.7	8	4.75	4	4.76	4.75
PS-SL-M403	M4x0.7	8	4.75	4	6.35	4.75
PS-SL-M404	M4x0.7	8	4.75	4	7.94	4.75
PS-SL-M405	M4x0.7	8	4.75	4	9.52	4.75
PS-SL-M406	M4x0.7	8	4.75	4	11.11	4.75
PS-SL-M407	M4x0.7	8	4.75	4	12.70	4.75
PS-SL-M408	M4x0.7	8	4.75	4	14.29	4.75
PS-SL-M409	M4x0.7	8	4.75	4	15.87	4.75
PS-SL-M410	M4x0.7	8	4.75	4	17.46	4.75
PS-SL-M411	M4x0.7	8	4.75	4	19.05	4.75
PS-SL-M412	M4x0.7	8	4.75	4	22.22	4.75
PS-SL-M413	M4x0.7	8	4.75	4	25.40	4.75

Custom modified products are available.

PRECISION SHOULDER SCREWS SLOTTED HEAD

Metric Standard



Part No.	Thread Size	D1	D2	L1	L2	L3
		+0.10 -0.10	+0.000 -0.026	+0.25 -0.25	+0.053 -0.000	+0.13 -0.13
PS-SL-M501	M5x0.8	10	6.34	4.8	3.18	6.3
PS-SL-M502	M5x0.8	10	6.34	4.8	4.76	6.3
PS-SL-M503	M5x0.8	10	6.34	4.8	6.35	6.3
PS-SL-M504	M5x0.8	10	6.34	4.8	7.94	6.3
PS-SL-M505	M5x0.8	10	6.34	4.8	9.52	6.3
PS-SL-M506	M5x0.8	10	6.34	4.8	11.11	6.3
PS-SL-M507	M5x0.8	10	6.34	4.8	12.70	6.3
PS-SL-M508	M5x0.8	10	6.34	4.8	14.29	6.3
PS-SL-M509	M5x0.8	10	6.34	4.8	15.87	6.3
PS-SL-M510	M5x0.8	10	6.34	4.8	17.46	6.3
PS-SL-M511	M5x0.8	10	6.34	4.8	19.05	6.3
PS-SL-M512	M5x0.8	10	6.34	4.8	22.22	6.3
PS-SL-M513	M5x0.8	10	6.34	4.8	25.40	6.3
PS-SL-M601	M6x1.0	11	7.93	5.5	6.35	9.4
PS-SL-M602	M6x1.0	11	7.93	5.5	9.52	9.4
PS-SL-M603	M6x1.0	11	7.93	5.5	12.70	9.4
PS-SL-M604	M6x1.0	11	7.93	5.5	14.29	9.4
PS-SL-M605	M6x1.0	11	7.93	5.5	19.05	9.4
PS-SL-M606	M6x1.0	11	7.93	5.5	22.22	9.4
PS-SL-M607	M6x1.0	11	7.93	5.5	25.40	9.4
PS-SL-M608	M6x1.0	13	9.51	5.5	6.35	9.4
PS-SL-M609	M6x1.0	13	9.51	5.5	9.52	9.4
PS-SL-M610	M6x1.0	13	9.51	5.5	12.70	9.4
PS-SL-M611	M6x1.0	13	9.51	5.5	14.29	9.4
PS-SL-M612	M6x1.0	13	9.51	5.5	19.05	9.4
PS-SL-M613	M6x1.0	13	9.51	5.5	22.22	9.4
PS-SL-M614	M6x1.0	13	9.51	5.5	25.40	9.4

Custom modified products are available.